



Quad Ridged Horn Antenna

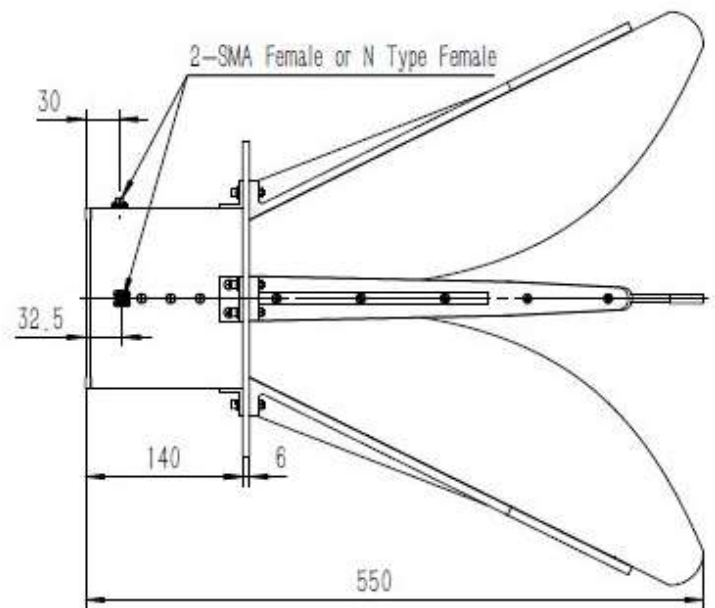
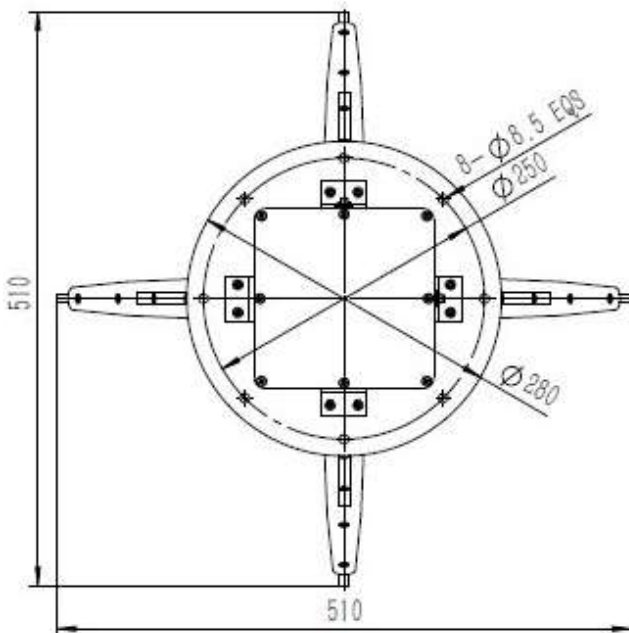
Specification

Model : MQH00406

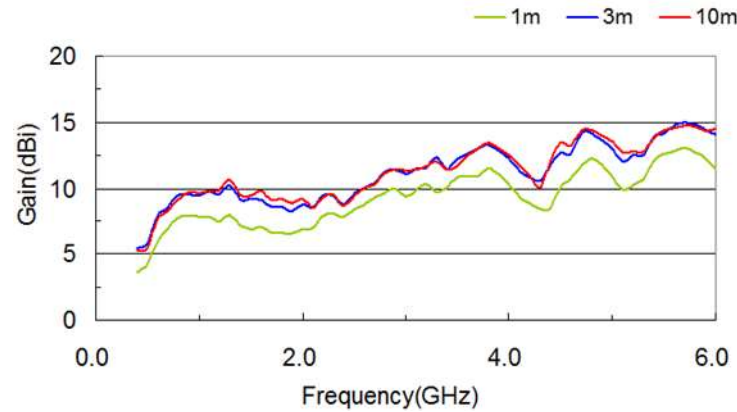
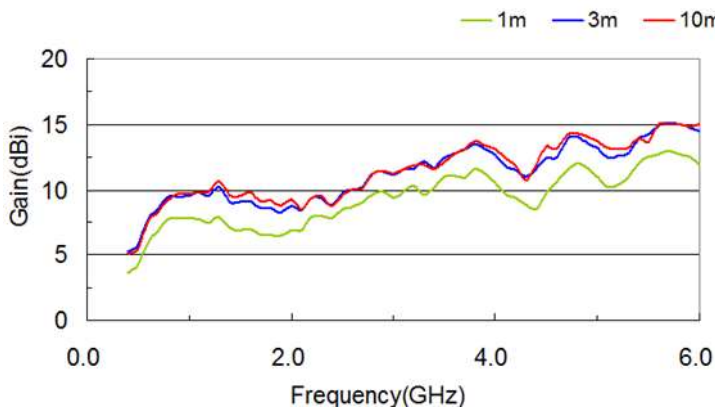


Frequency Range(GHz)	0.4 - 6.0
Gain(dB)	4-14 Typ.
Polarization	Dual Pol.
VSWR	3.0:1 Max.
	1.5:1 Typ.
3dB Beamwidth(deg)	80-30
Cross Pol. Isolation(dB)	20 Min.
Port to Port Isolation(dB)	20 Min.
Connector	SMA-F / N-F
Size(mm)	510 x 510 x 550
Net Weight(Kg)	9.5 Around

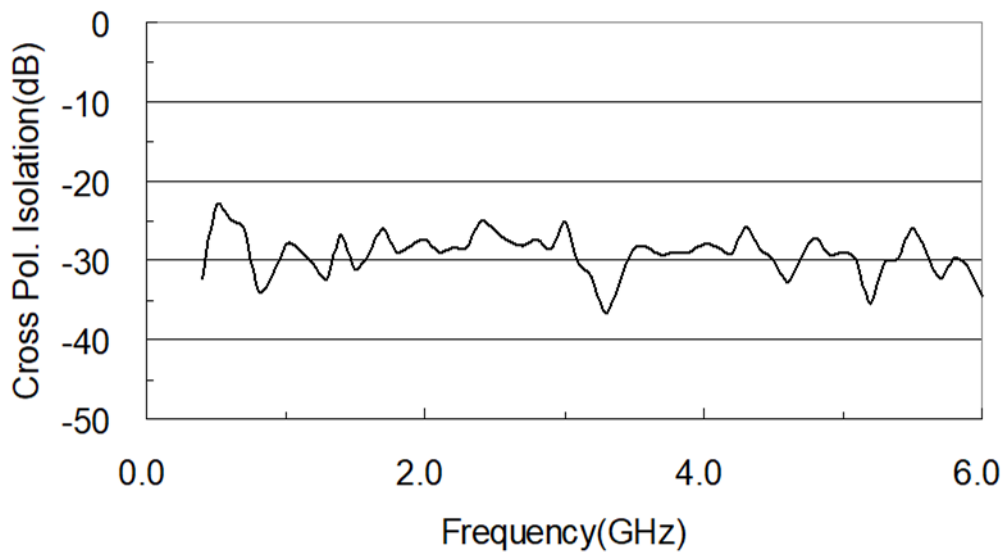
Outline Drawing (mm)



Antenna Gain (typ.)

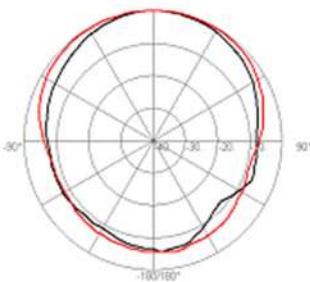


Cross Polarization isolation (typ.)



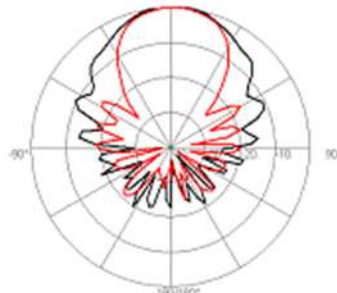
Radiation Patterns (typ.)

Frequency: 0.4GHz



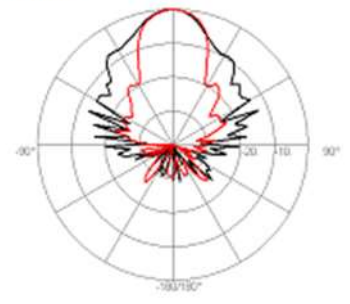
H-Plane — 3dB Beamwidth (deg): 136.72
E-Plane — 3dB Beamwidth (deg): 89.11

Frequency: 3.0GHz



H-Plane — 3dB Beamwidth (deg): 41.46
E-Plane — 3dB Beamwidth (deg): 48.12

Frequency: 6.0GHz



H-Plane — 3dB Beamwidth (deg): 24.98
E-Plane — 3dB Beamwidth (deg): 24.62